

PRODUCT INFORMATION PACKET

Model No: 145TTDR16306

Catalog No: GT4409

3 HP Close-Coupled Pump Motor, 3 phase, 3600 RPM, 230/460 V, 145JPV Frame, ODP
JP Motors



Nameplate Specifications

Output HP	3 Hp	Output KW	2.2 kW
Frequency	60 Hz	Voltage	230/460 V
Current	7.6/3.8 A	Speed	3510 rpm
Service Factor	1.15	Phase	3
Efficiency	87.5 %	Power Factor	83.5
Duty	Continuous	Insulation Class	F
Design Code	B	KVA Code	M
Frame	145JPV	Enclosure	Drip Proof
Thermal Protection	No	Ambient Temperature	40 °C
Drive End Bearing Size	6206	Opp Drive End Bearing Size	6203
UL	Recognized	CSA	Y
CE	Y	IP Code	22

Technical Specifications

Electrical Type	Squirrel Cage Inverter Rated	Starting Method	Line Or Inverter
Poles	2	Rotation	Reversible
Resistance Main	4.04 Ohms	Mounting	Round
Motor Orientation	Horizontal Or Shaft Down	Drive End Bearing	Ball
Opp Drive End Bearing	Ball	Frame Material	Rolled Steel
Shaft Type	JP	Overall Length	18.48 in
Frame Length	9.06 in	Shaft Diameter	0.875 in
Shaft Extension	7.31 in	Assembly/Box Mounting	F1 ONLY
Outline Drawing	100231-906	Connection Drawing	EE7308

This is an uncontrolled document once printed or downloaded and is subject to change without notice. Date Created:18/06/2020

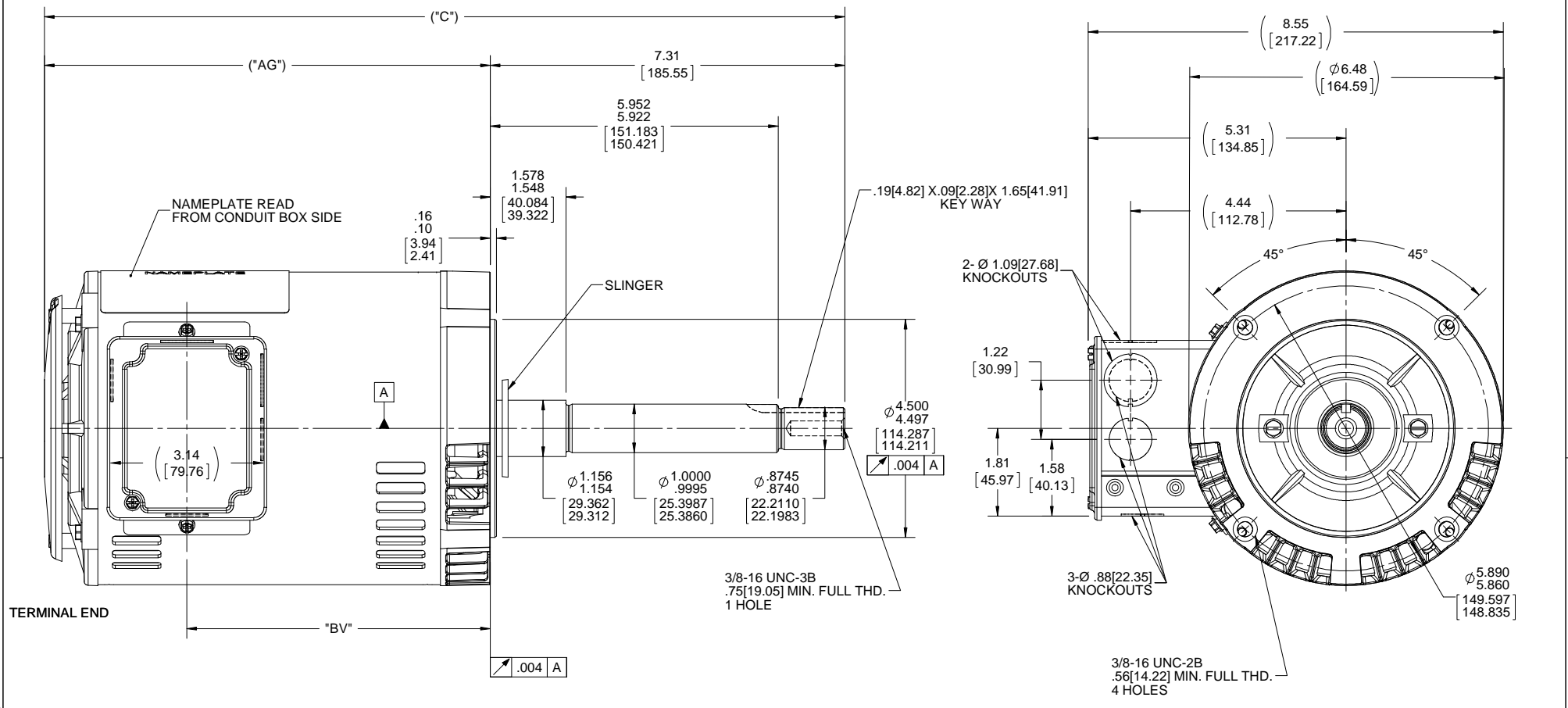
4

3

Uncontrolled Copy

2

1



NOTE:
CONDUIT BOX CAN BE ROTATED IN 180° STEPS.

DASH NO.	"C"	"AG"	"BV"
656	15.99[406.14]	8.69[220.72]	5.75[146.05]
706	16.49[418.84]	9.19[233.42]	6.25[158.75]
756	16.99[431.54]	9.69[246.12]	6.75[171.45]
806	17.49[444.24]	10.19[258.82]	7.25[184.15]
856	17.99[456.94]	10.69[271.52]	7.75[196.85]
906	18.49[469.64]	11.19[284.22]	8.25[209.55]

DRAWING REVISION H	REVISION BY A. KEETHA	DATE 02/12/2018
ECO ECO-0143026	APPROVED BY PST	DATE 04/11/2018
ECO DESCRIPTION OUTLINE CONVERSION PROJECT		
<small>COPYRIGHT REGAL BELOIT AMERICA, INC. ALL RIGHTS RESERVED. PROPRIETARY AND CONFIDENTIAL INFORMATION - THIS DOCUMENT IS THE PROPERTY OF REGAL BELOIT AMERICA, INC. ("OWNER") AND CONTAINS OWNER'S PROPRIETARY INFORMATION. ANY PERSON, CORPORATION OR OTHER FIRM RECEIVING IT IS DEEMED, BY RECEIVING IT, TO AGREE THAT IT, AND/OR ANY PART OF IT, SHALL NOT BE DISCLOSED TO ANY PERSON, CORPORATION OR OTHER ENTITY, DUPLICATED, AND/OR USED, EXCEPT AS EXPRESSLY APPROVED IN WRITING IN ADVANCE BY OWNER. THIS DOCUMENT SHALL BE RETURNED TO OWNER UPON REQUEST. IT MAY BE SUBJECT TO CERTAIN RESTRICTIONS UNDER APPLICABLE EXPORT CONTROL LAWS AND REGULATIONS.</small>		

TOLERANCES UNLESS OTHERWISE SPECIFIED:		
DEC.	INCH	mm
.X	+0.1	[+2.5]
.XX	+0.03	[+0.76]
.XXX	+0.005	[+0.127]
.XXXX	+0.0005	[+0.0127]
REMOVE BURRS & BREAK SHARP EDGES: .003/.015 [0.076/.381] X 45°		
CORNER FILLETS: R.02 [51]		
MACHINED SURFACES: 200 INCH/mm 5.1		
mm SHOWN IN [BRACKETS]		

DRAWN BY BRH	DATE 10-24-1995
APPROVED BY GK	DATE 11-16-1995
REFERENCE 100231	THIRD ANGLE PROJECTION

Regal Beloit America, Inc.	
DESCRIPTION OUTLINE 140 FRAME-BB-DR.PR-3Ø-C'FACE-JP EXT	
MATERIAL	PROCESS/FINISH
SIZE B	DRAWING NUMBER 100231
SHEET 1 OF 1	

EE7308

THREE PHASE
DUAL VOLTAGE MOTOR



VIEW OF TERMINAL END

REF.
WINDING DIAGRAM

T8Y, T2Y, T2BL, T4BX, T2EC, T2G
T6BZ, T2B, T6BL, T4AV, T6B, T4B

OPTIONAL CORD
CONNECTION

L1 — WHITE
L2 — RED
L3 — BLACK

NO.	REVISION	BY & DATE	CHK	ANG	TOLERANCES UNLESS SPECIFIED		FINISH	DRAWN RM 11/20/1990				
					DEC.	INCHES						
5	CHG TO REGAL LOGO	SL 09/10/2015	AB					CHK ML 11/21/1990				
4	REVISED IEC NOTATIONS	MSG 11/15/2011	CMN	.X	±.1			APPD SAS 04/24/2003				
3	ADDED IEC NOTATIONS... (U1), (V1) ETC. MU95194	MSG 5/10/2010	MJS	.XX	±.02			SCALE 1=1				
2	ADDED THE OPTIONAL CORD CONNECTION MU46318	RDH 04/24/2003	DRS	.XXX	±.005		TITLE CONNECTION DIAGRAM 3Ø - DUAL VOLTAGE MOTOR	REF				
1	REDRAWN	RM 11/20/1990		.XXXX	±.0005		MAT'L.	FMF				
					±7'30"			PREV				
THIS DRAWING IN DESIGN AND DETAIL IS OUR PROPERTY AND MUST NOT BE USED EXCEPT IN CONNECTION WITH OUR WORK ALL RIGHTS OF DESIGN AND INVENTION ARE RESERVED THIS IS AN ELECTRONICALLY GENERATED DOCUMENT - DO NOT SCALE THIS PRINT							RFP	CAD FILE ee7308	SIZE A	DRAWING NO. EE7308	PAGE OF 5	REV. 5
							DIST WP					



Regal Beloit America, Inc.

CERTIFICATION DATA SHEET

Model#: 145TTDR16306 AA **WINDING#:** ZT2175 NONE 1
CONN. DIAGRAM: A-EE7308 **ASSEMBLY:** F1 ONLY
OUTLINE: A-100231-906

TYPICAL MOTOR PERFORMANCE DATA

HP	KW	SYNC. RPM	F.L. RPM	FRAME	ENCLOSURE	KVA CODE	DESIGN
3&2	2.24&1.49	3600	3510&2930	145JPV	DP	M	B

PH	Hz	VOLTS	FL AMPS	START TYPE	DUTY	INSL	S.F	AMB°C	ELEVATION
3	60/50	230/460#190/ 380	7.6/3.8&6.6/3. 3	LINE OR INVERTER	CONTINUOU S	F3	1.15/1.0	40	3300

FULL LOAD EFF: 87.5&85.5	3/4 LOAD EFF: 88.2	1/2 LOAD EFF: 86.8	GTD. EFF	ELEC. TYPE	NO LOAD AMPS
FULL LOAD PF: 83.5&81	3/4 LOAD PF: 77.3	1/2 LOAD PF: 65.7	85.5	SQ CAGE INV RATED	3.4 / 1.7

F.L. TORQUE	LOCKED ROTOR AMPS	L.R. TORQUE	B.D. TORQUE	F.L. RISE°C
4.5 LB-FT	82.2 / 41.1	17.8 LB-FT 396	23.2 LB-FT 516	41

SOUND PRESSURE @ 3 FT.	SOUND POWER	ROTOR WK^2	MAX. WK^2	SAFE STALL TIME	STARTS /HOUR	APPROX. MOTOR WGT
68 dBA	78 dBA	0.045 LB-FT^2	5 LB-FT^2	10 SEC.	2	43 LBS.

***** SUPPLEMENTAL INFORMATION *****

DE BRACKET TYPE	ODE BRACKET TYPE	MOUNT TYPE	ORIENTATION	SEVERE DUTY	HAZARDOUS LOCATION	DRIP COVER	SCREENS	PAINT
C-FACE	STANDARD	ROUND	HORIZONTAL OR SHAFT DOWN	FALSE	NONE	TRUE	NONE	BLUE (POWDER)

BEARINGS		GREASE	SHAFT TYPE	SPECIAL DE	SPECIAL ODE	SHAFT MATERIAL	FRAME MATERIAL
DE	OPE						
BALL	BALL	POLYREX EM	JP	NONE	NONE	1144 STRESSPROOF (C-223)	ROLLED STEEL
6206	6203						

THERMO-PROTECTORS				THERMISTORS	CONTROL	SPACE /n HEATERS
THERMOSTATS	PROTECTORS	WDG RTDs	BRG RTDs			
NONE	NOT	NONE	NONE	NONE	FALSE	NONE VOLTS

If Inverter equals NONE, contact factory for further information

*
N
O
T
E
S
*

INVERTER TORQUE: CONSTANT 2:1
INV. HP SPEED RANGE: NONE
ENCODER: NONE
NONE NONE
NONE NONE PPR
BRAKE: NONE NONE
NONE P/N NONE
NONE NONE
NONE FT-LB NONE V NONE Hz

** Subject to change without notice.

Data Sheet

145TTDR16306



Submittal
Data @ 460 V

Date: 6/29/2017

Customer:
Attention:
Submitted by: FAREEDA DUDEKULA

Motor Load Data

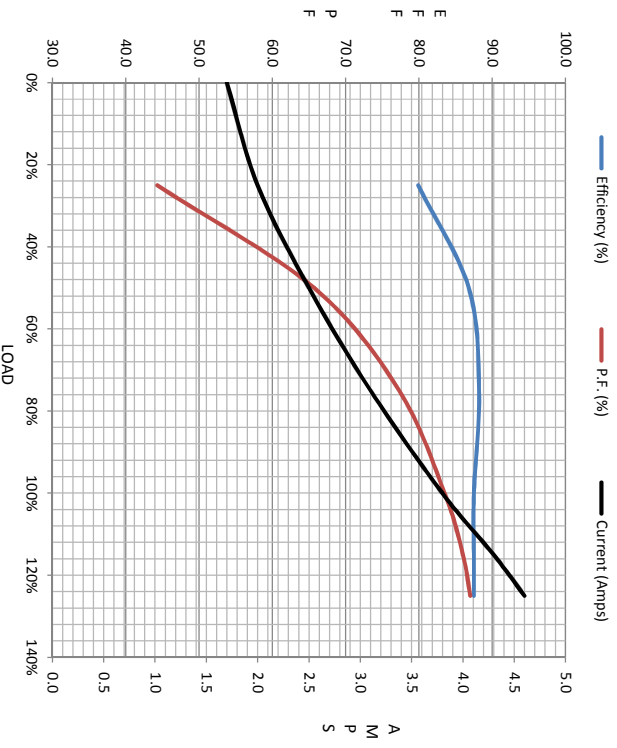
Load	0%	25%	50%	75%	100%	115%	125%	LR
Current (Amps)	1.70	2.00	2.50	3.1	3.8	4.3	4.6	41.1
Torque (ft-lb)	0.00	1.10	2.21	3.3	4.5	5.2	5.7	17.8
RPM	3600	3580	3560	3535	3510	3495	3485	0
Efficiency (%)		79.9	86.8	88.2	87.5	87.5	87.5	
P.F. (%)	10.9	44.3	65.7	77.3	83.5	86.0	87.0	65.4

Motor Speed Data

	LR	Pull-Up	BD	Rated	Idle
Speed (rpm)	0	255	2310	3510	3600
Current (Amps)	41.1	40.4	29.8	3.8	1.70
Torque (ft-lb)	17.8	15.7	23.2	4.5	0.00

Information Block

HP	3.0			
Sync. RPM	3600			
Frame	145			
Enclosure	DP			
Construction	TDR			
Voltage	30/460#190/38 V			
Frequency	60 HZ			
Design	A			
LR Code letter	M			
Service Factor	1.15			
Temp Rise @ FL	41 °C			
Duty	CONT			
Ambient	40 °C			
Elevation	1,000 feet			
Rotor/Shaft wkt	0.05 Lb-Fe			
Rel Wdg	Z12175 NONE			
Sound Pressure @ 1M	68 dBA			
VFD Rating	CONSTANT 2:1			
Outline Dwg	A-100231-906			
Conn. Diag	A-EZ308			
Additional Specifications:				
EQUIV CKT (OHMS / PHASE)				
R1	R2	X1	X2	Xm
3.8790	2.2700	5.3920	5.0140	173.5910



Speed -Torque Curve

